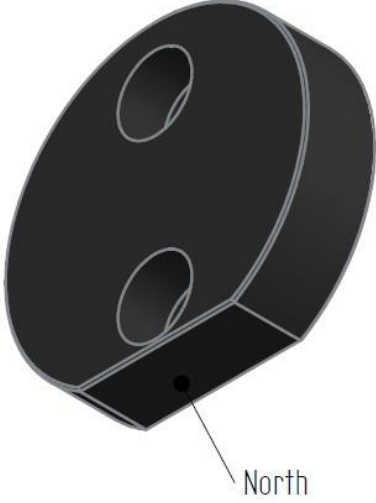
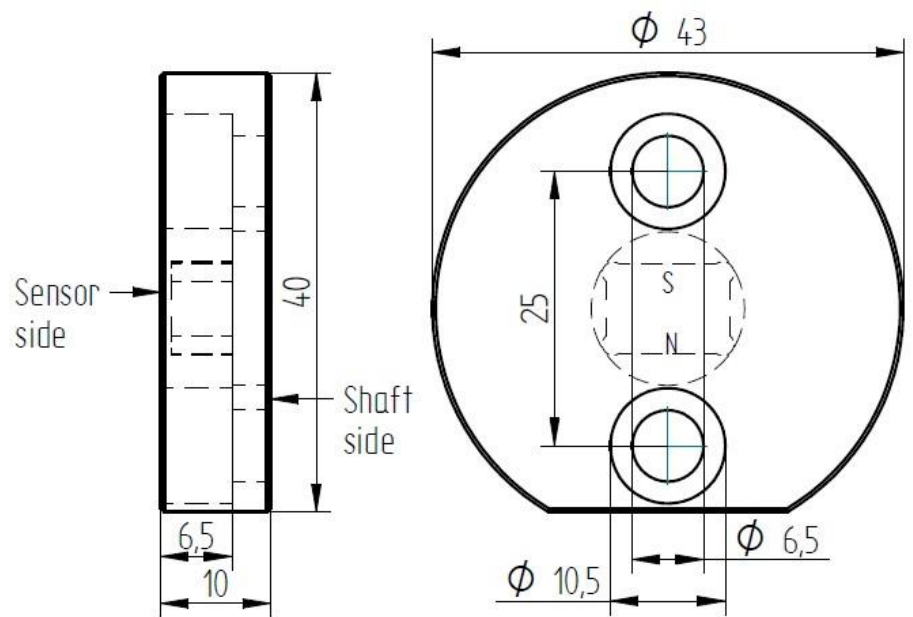


Magnet in Disc d43h10 N	
<b>Magnetholder</b>	
Plastic Disc + Magnet N-mark  D43h10 mm	

Magnet in Disc d43h10 N	General specifications v20181214
Type	magnet in disc
Disc	
Disc material	plastic (POM, black)
Disc size	d43h10 mm
Magnet position	centered to disc-middle
Protection	IP67, potted to protect the magnet surface
North pole indication	Flat side of disc
Mounting	
Method	To be screwed on a shaft
Screws	two M6x10 socket head cap screws (not included)
Instruction	Use a for the application proper Loctite fluid to fix the screw
Max torque	<2Nm
Orientation	Application specific, North pole = flat side of disc
Magnet	
Size	11.2x5.5x8 mm
Material	Neodymium-Ferrum-Bohrium
Quality	NdFeB N35 Ni-Cu-Ni coated
Remanence	1.16-1.21 Tesla / 11.600 – 12.100 Gauss
Coercivity bHc	10.5 KOe /836 KA/M
Coercivity iHc	12 KOe / 955 KA/M
Max. energy (BH) Max	33 -36 MGOe / 263-287 KJ/M <sup>3</sup>
Max temperature	80° C
Order code DIS	12499

Mechanical dimensions



Application example with QR40EMN Rotary encoder

