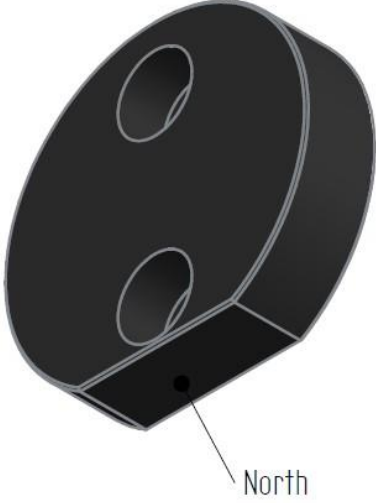
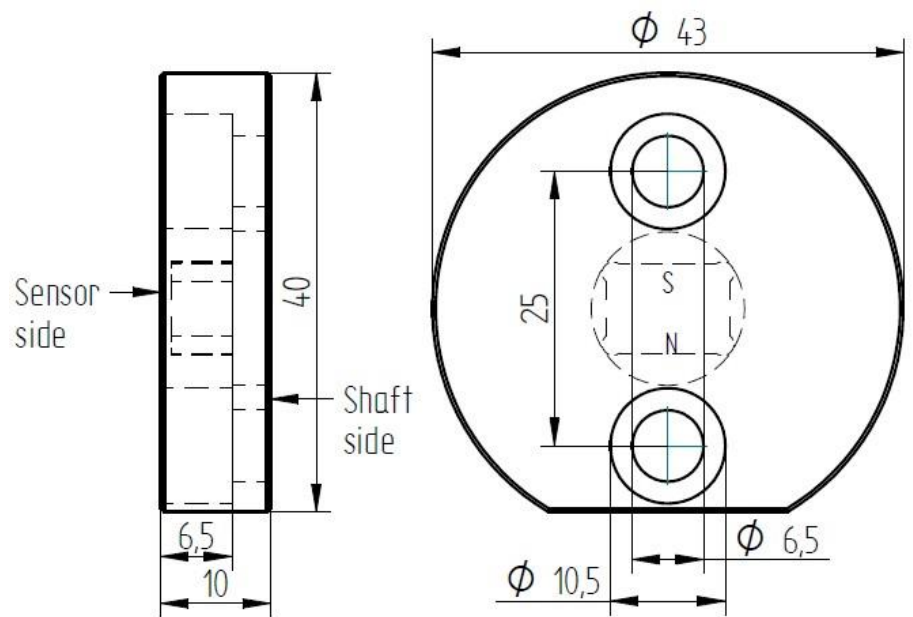


<p>Magnet Large in Disc d43h10 N</p> <p><b>Magnetholder</b></p> <p>Plastic Disc + Magnet N-mark</p> <p>D43h10 mm</p>	
--	--

Magnet Large in Disc d43h10 N	General specifications v20200618
Type	magnet in disc
Disc	
Disc material	plastic (POM, black)
Disc size	d43h10 mm
Magnet position	centered to disc-middle
Protection	IP67, potted to protect the magnet surface
North pole indication	Flat side of disc
Mounting	
Method	To be screwed on a shaft
Screws	two M6x10 socket head cap screws (not included)
Instruction	Use a for the application proper Loctite fluid to fix the screw
Max torque	<2Nm
Orientation	Application specific, North pole = flat side of disc
Magnet	
Size	35x7x6 mm
Material	Neodymium-Ferrum-Bohrium
Quality	NdFEB N35 Ni-Cu-Ni coated
Remanence	1.17-1.22 Tesla / 11.700 – 12.200 Gauss
Coercivity bHc	10.8 KOe
Coercivity iHc	12 KOe
Max. energy (BH) Max	33 -36 MGOe / 263-287 KJ/M <sup>3</sup>
Max temperature	80° C
Order code DIS	12707

Mechanical dimensions



Application example with QR40EMN Rotary encoder

